



Hard Wired Touch sensors manual

Contents

Product details	1
Features	1.1
Hardwired Specification	1.2
Fitting Instructions	2
Wiring Diagram	3
Contact Details	4



1. Products details

1.1 Features

- Modern touch/proximity sensitive switches for activation and access control
- Available hardwired only
- 316 marine grade stainless steel label
- Anti-microbial housings using Steritouch technology
- Entire label is touch sensitive
- Weatherproof

1.2 Hardwired specification

- 12-28Vdc
- Sensitivity adjustment (Touch to hands free)
- Timed clean relay output
- Selectable red, green or blue LED's
- Sounder on activation

2. Fitting instructions

Remove signage plate by unscrewing the two security screws with driver provided

Ascertain fixing height

Use box to mark the four fixing points

Use 20mm knockout and place cable through if hardwiring

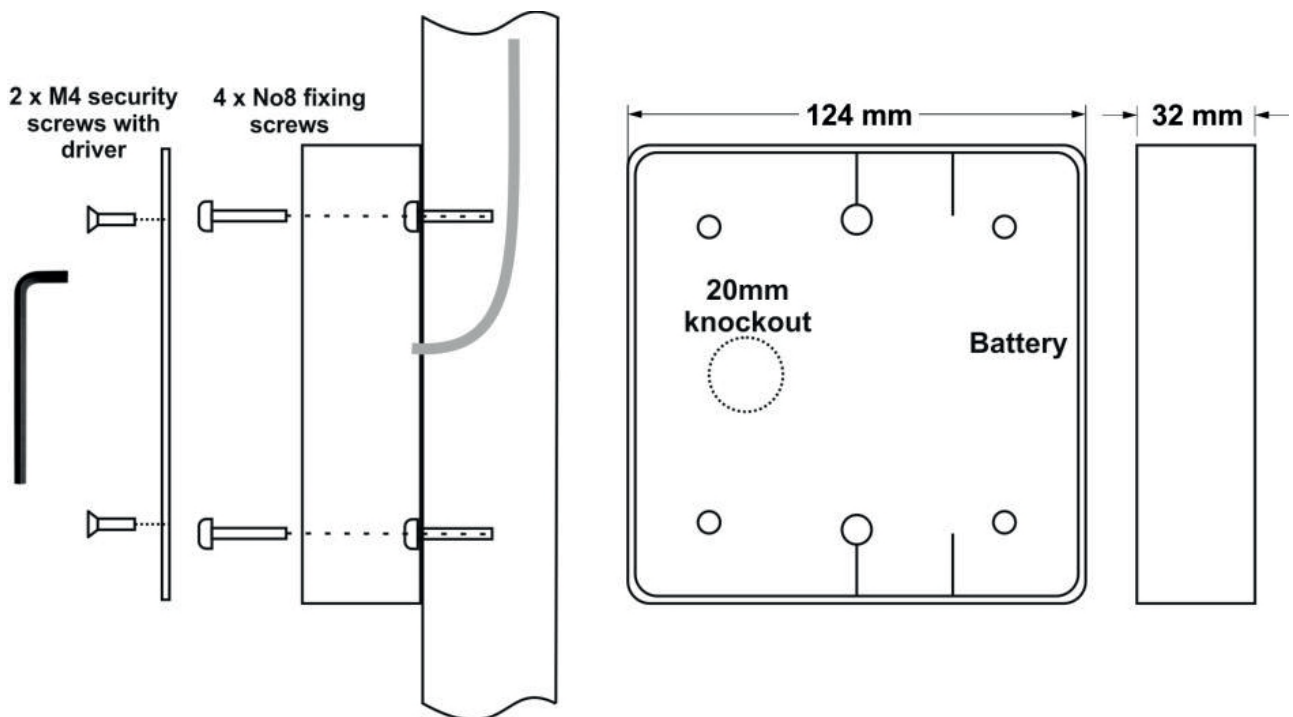
Remove paper backing from the seal on the back of the box (leave in place if securing to a wallpapered surface) and secure box to the wall with 4 x No8 screws

Make connections (see page 4)

Place signage plate back into the box and insert the two security screws. If hardwiring, remove the paper backing from the signage plate. If radio leave paper backing in place to allow easy removal when changing batteries

To remove signage plate in order to change batteries, remove security screws, insert a small screwdriver into the corner and gently lever out

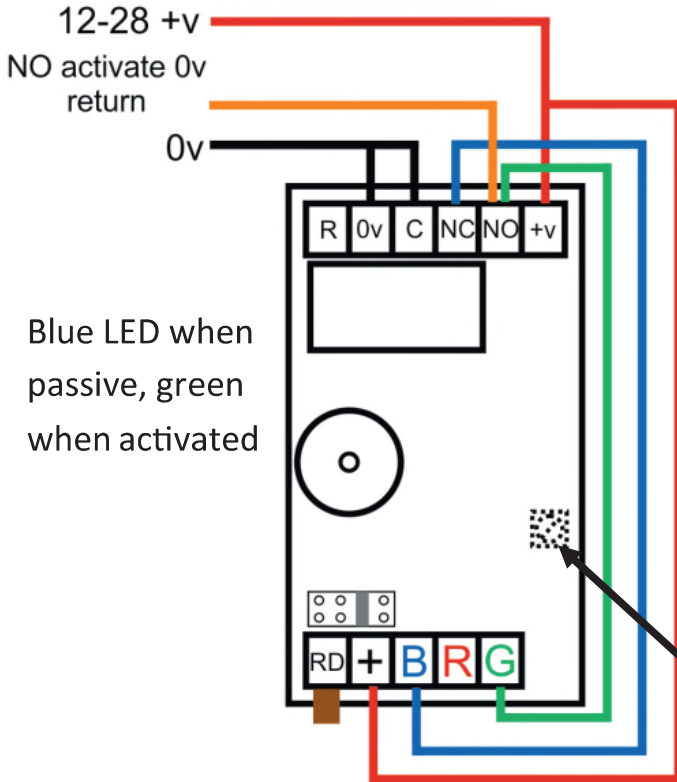
Do not over tighten screws!



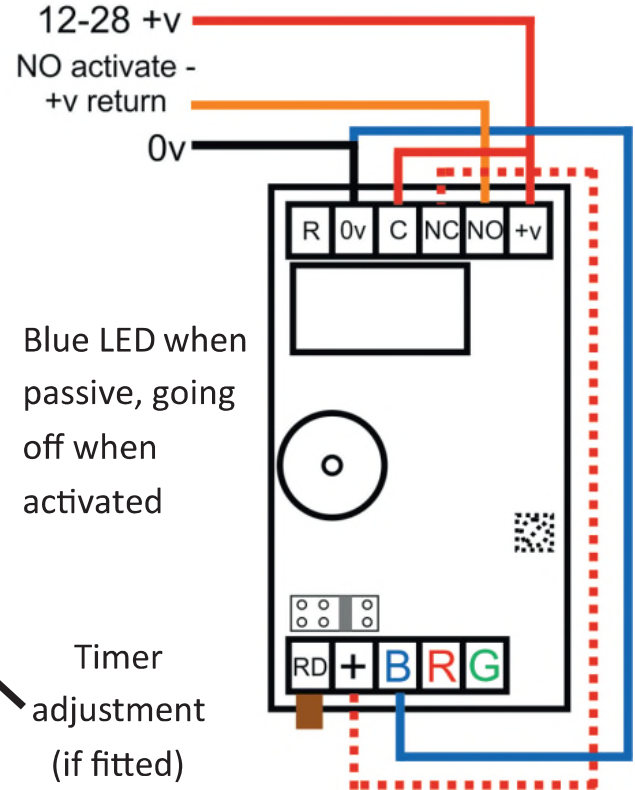
3. Wiring diagrams

Diagrams below show wiring for hardwired sensors. Alter LED colour configuration as required.

Normally open contacts. 0v return



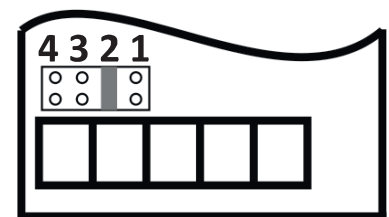
Normally open contacts. +v return



Sensitivity adjustment:

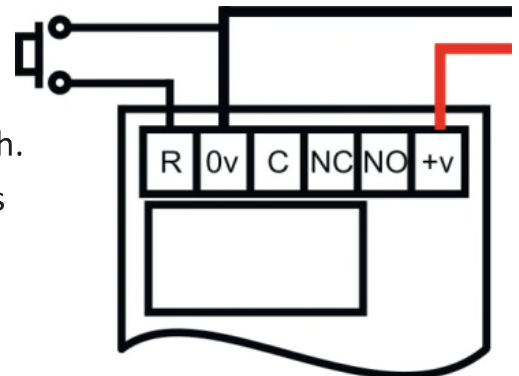
It is possible to alter the sensitivity of the unit. To do this, remove power and reposition jumper

High--Low



Remote switch:

It is also possible to connect a remote release switch. Momentary normally open switch connected across 0v and R



Note: Never connect anything to RD terminal

4. Contact details



Address:

Watsons

3 Platts Common Industrial Estate

Hoyland

Barnsley

S74 9SA

Telephone: +44 (0)1226 748524

Email: sales@watsonsanodising.co.uk

Website: watsonsgraphics.co.uk